

ARX 23.1-2

LIGHT TANDEM VIBRATORY ROLLER

EU STAGE V / U.S. EPA TIER 4 FINAL

APPLICATIONS

- Small and medium construction sites
- Road maintenance
- City street repairs
- Confined work spaces
- Pathways
- Playgrounds, golf courses



PRODUCTIVITY

Smooth rolling

No sudden starts and stops during machine operation.

Compaction performance

Varied machine sizes ensure proper fits for the application and jobsite.

ERGONOMICS

The **operator platform** is designed for comfort, ensuring a pleasant experience no matter the duration of the shift.

The **operator station** offers 360° all-around machine visibility from the seat to maximize safety on the jobsite.

SERVICEABILITY

Low downtime

Robust design that protects components.

Reduced maintenance

Easy-to-reach maintenance points.

SUSTAINABILITY

ECODrop

Improved efficiency, reduced use of fluids.

Advanced technologies

Machine usage controlled to bring efficiency, productivity – and enable precise documentation.

OPTIONAL EQUIPMENT

- Two non-split drums, in-line
- Additional documentation printed
- Additional lights for hard canopy
- Additional Lights for ROPS
- Additional Lights for ROPS with Beacon
- Additional lights for ROPS/FOPS
- Additional lights for ROPS/FOPS with beacon
- Additional mirror
- Ammann Traction Control (ATC)
- AmmannCare Gold
- AmmannCare Silver
- Back-up alarm
- Back-up alarm adaptive
- CE conformity
- Central lifting point
- Certificate of origin
- Color scheme customer
- Compaction Measuring System ACE^{force}
- Drive lever additional left
- Edge cutter 45° (front right)
- Frame ROPS
- Frame ROPS/FOPS
- Hard canopy ROPS mounted
- Hard driving
- Hydraulic oil biodegradable
- Infrared thermometer
- Maintenance kit 1000h
- Maintenance kit 500h
- Maintenance kit 250h
- Maintenance kit 50h
- Overseas shipping preparation
- Registration plate holder
- Road lights
- Road lights incl. turn signals
- Scrapers double drum tiltable
- Seat activation warning switch
- Seat belt 3"
- Seat options armrests
- Seat options seat heating
- Telematics ServiceLink Light
- Telematics ServiceLink Plus
- Toolset
- Transport accessories
- Warning beacon green LED
- Warning beacon green LED for ROPS/FOPS
- Warning beacon LED for hard canopy
- Warning beacon LED for ROPS
- Warning beacon LED green for hard canopy
- Warning beacon LED ROPS/FOPS
- Warning beacon permanently activated
- Water tank lock

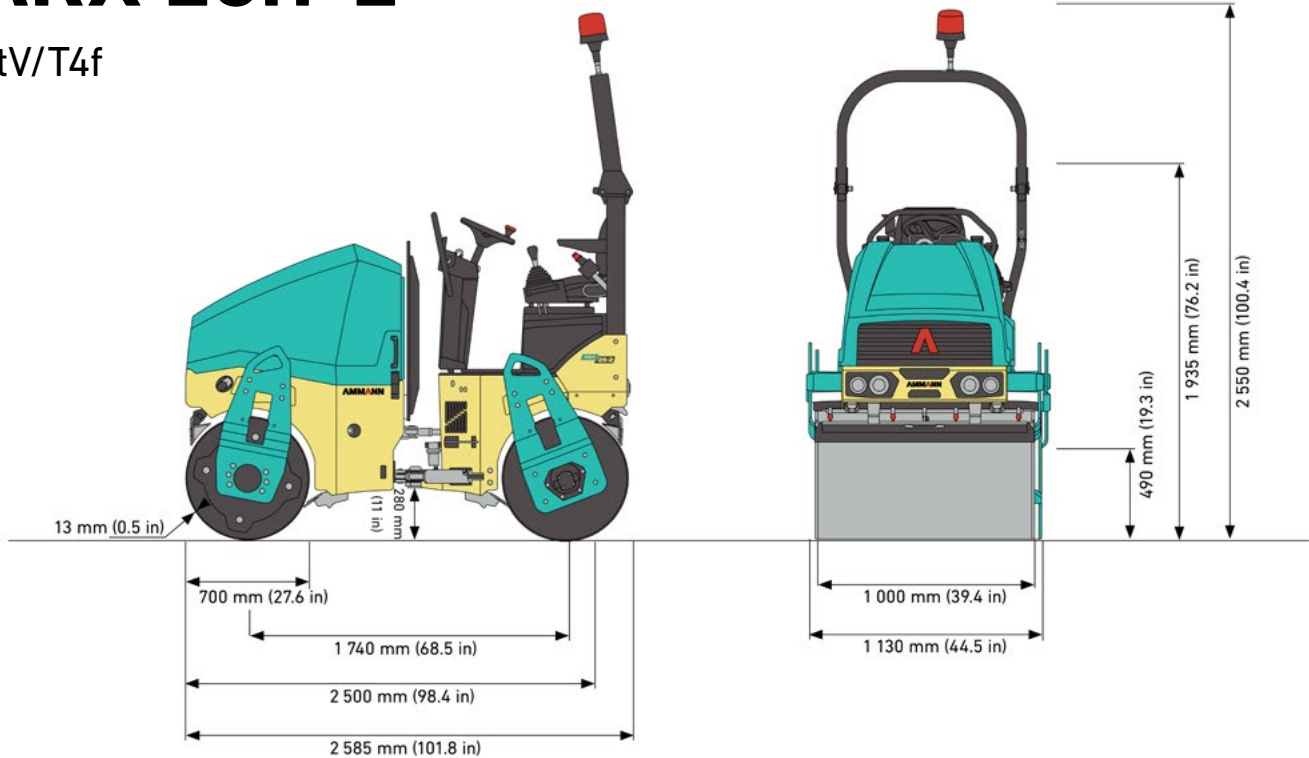
STANDARD EQUIPMENT

- 1 amplitude / 2 frequencies
- Ammann color design and decals
- Articulation joint with oscillation and offset
- AVC - Automatic Vibration Control
- Operator station with one drive lever (RH)
- Front and rear drive and vibration
- Open platform with safety handles
- Electronic drive lever
- Pressure water sprinkling with interval switch, 2 stage filtration
- Multi-functional display for machine overview
- Slideable and horizontally adjustable driver's seat
- Fixed scrapers
- Standard hydraulic oil
- Telematics ready
- On-board diagnostics
- Battery disconnection switch

AMMANN

ARX 23.1-2

StV/T4f



WEIGHT & OPERATING CHARACTERISTICS

OPERATING WEIGHT CECE	2 260 kg (4,982 lb)
OPERATING WEIGHT MAX.	2 495 kg (5,501 lb)
STATIC LINEAR LOAD AVG.	10,8 kg/cm (60.5 lb/in)
MAX. WORKING SPEED	10 km/h (6.2 MPH)
GRADEABILITY WITHOUT VIBRATION	30%
GRADEABILITY WITH VIBRATION	25%
TURNING RADIUS (INNER)	2 500 mm (98.4 in)
DRUM OFFSET	40 mm (1.6 in)

ENGINE

MANUFACTURER	Kubota	Yanmar
ENGINE TYPE	D1703-M-DI	3TNV80F
ENGINE SPEED	2100 / 2400 rpm	
POWER OUTPUT ISO 3046	18,5 kW / 24,8 HP	
EMISSION STAGE	EU Stage V / U.S. EPA Tier 4 Final	

COMPACTION FORCES

AMPLITUDE I	0,5 mm (0.020 in)
AMPLITUDE II	0,5 mm (0.020 in)
FREQUENCY I	58 Hz (3,480 vpm)
FREQUENCY II	66 Hz (3,960 vpm)
CENTRIFUGAL FORCE I	30 kN (6,744 lbf)
CENTRIFUGAL FORCE II	35 kN (7,868 lbf)

MISCELLANEOUS

BRAKES OPERATING	Hydrostatic
BRAKES PARKING	Multiple-disc spring brake
BRAKES EMERGENCY	Multiple-disc spring brake
FUEL TANK CAPACITY	35 l (9.2 gal)
WATER TANK CAPACITY	190 l (50.2 gal)
TYPE OF WATERING	Pressure
HYDRAULIC TANK CAPACITY	28,5 l (7.5 gal)
STEERING ANGLE	±30°
OSCILLATION ANGLE	±6,5°
BATTERY VOLTAGE	12V
BATTERY CAPACITY	77 Ah

MAXIMUM RECOMMENDED COMPACTED LIFT THICKNESS AT OPTIMAL WORKING CONDITIONS

ROCKFILL	N/A
SAND / GRAVEL	250 mm (9.8 in)
MIXED SOILS	180 mm (7.1 in)
SILT	N/A
CLAY	N/A
STABILISATION	120 mm (4.7 in)
ASPHALT	100 mm (3.9 in)