

# ARX 26.1-2C

## LIGHT TANDEM VIBRATORY ROLLER

EU STAGE V / U.S. EPA TIER 4 FINAL

### APPLICATIONS

- Small and medium construction sites
- Road maintenance
- City street repairs
- Confined work spaces
- Pathways
- Playgrounds, golf courses



### PRODUCTIVITY

#### Smooth rolling

No sudden starts and stops during machine operation.

#### Compaction performance

Varied machine sizes ensure proper fits for the application and jobsite.

### ERGONOMICS

The **operator platform** is designed for comfort, ensuring a pleasant experience no matter the duration of the shift.

**The operator station** offers 360° all-around machine visibility from the seat to maximize safety on the jobsite.

### SERVICEABILITY

#### Low downtime

Robust design that protects components.

#### Reduced maintenance

Easy-to-reach maintenance points.

### SUSTAINABILITY

#### ECODrop

Improved efficiency, reduced use of fluids.

#### Advanced technologies

Machine usage controlled to bring efficiency, productivity – and enable precise documentation.

### OPTIONAL EQUIPMENT

- Additional documentation printed
- Additional lights for hard canopy
- Additional Lights for ROPS
- Additional Lights for ROPS with Beacon
- Additional lights for ROPS/FOPS
- Additional lights for ROPS/FOPS with beacon
- Additional mirror
- Ammann Traction Control (ATC)
- AmmannCare Gold
- AmmannCare Silver
- Back-up alarm
- Back-up alarm adaptive
- CE conformity
- Central lifting point
- Certificate of origin
- Color scheme customer
- Compaction Measuring System ACE<sup>force</sup>
- Drive lever additional left
- Edge cutter 45° (front right)
- Frame ROPS
- Frame ROPS/FOPS
- Hard canopy ROPS mounted
- Hard driving
- Hydraulic oil biodegradable
- Infrared thermometer
- Maintenance kit 1000h
- Maintenance kit 500h
- Maintenance kit 250h
- Maintenance kit 50h
- Overseas shipping preparation
- Registration plate holder
- Road lights
- Road lights incl. turn signals
- Scrapers combi tiltable
- Seat activation warning switch
- Seat belt 3"
- Seat options armrests
- Seat options seat heating
- Telematics ServiceLink Light
- Telematics ServiceLink Plus
- Toolset
- Transport accessories
- Warning beacon green LED
- Warning beacon green LED for ROPS/FOPS
- Warning beacon LED for hard canopy
- Warning beacon LED for ROPS
- Warning beacon LED green for hard canopy
- Warning beacon LED ROPS/FOPS
- Warning beacon permanently activated
- Water tank lock

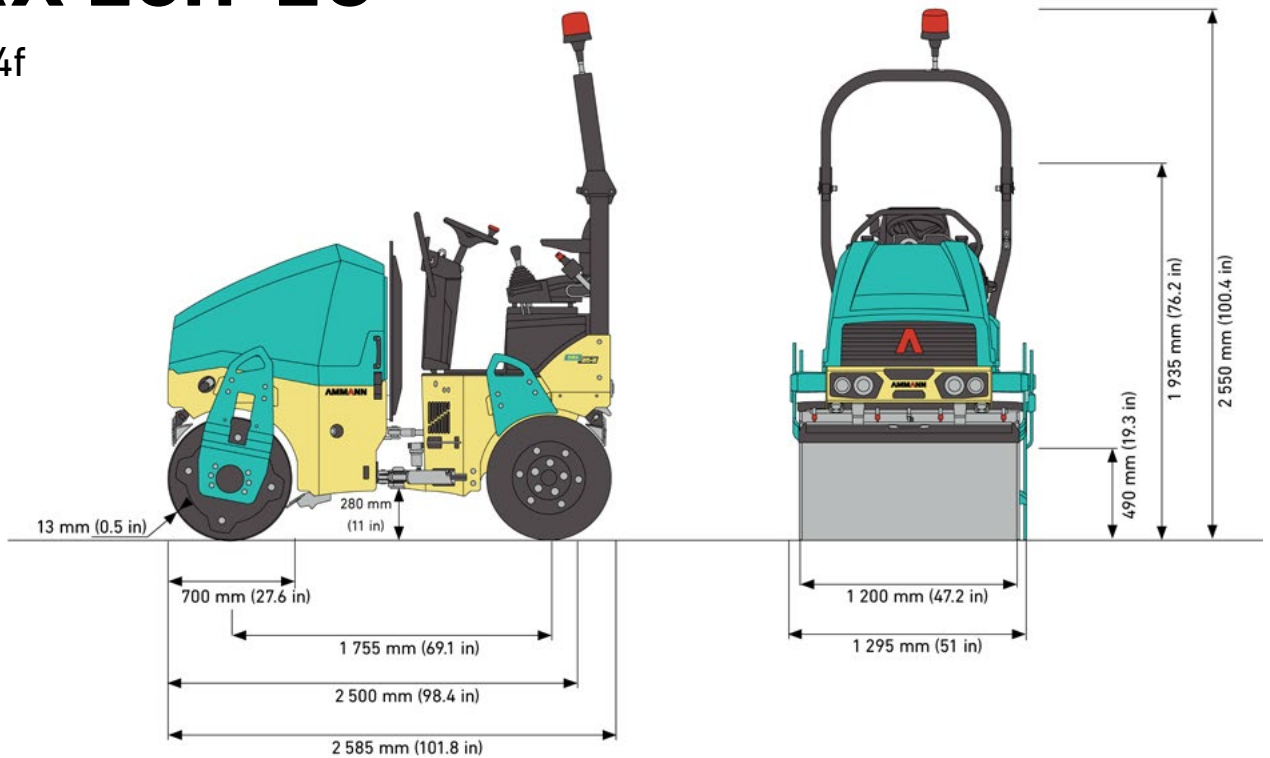
### STANDARD EQUIPMENT

- 1 amplitude / 2 frequencies
- Ammann color design and decals
- Articulation joint with oscillation and offset
- AVC - Automatic Vibration Control
- Operator station with one drive lever (RH)
- One non-split drum / 4 tyres in rear
- Front and rear drive / front vibration
- Emulsion-spraying
- Open platform with safety handles
- Electronic drive lever
- Pressure water sprinkling with interval switch, 2 stage filtration
- Multi-functional display for machine overview
- Slideable and horizontally adjustable driver's seat
- Fixed scrapers
- Standard hydraulic oil
- Telematics ready
- On-board diagnostics
- Battery disconnection switch

**AMMANN**

# ARX 26.1-2C

StV/T4f



## WEIGHT & OPERATING CHARACTERISTICS

OPERATING WEIGHT CECE	2 110 kg (4,652 lb)
OPERATING WEIGHT MAX.	2 310 kg (5,093 lb)
STATIC LINEAR LOAD AVG.	9,8 kg/cm (54.9 lb/in)
MAX. WORKING SPEED	10 km/h (6.2 MPH)
GRADEABILITY WITHOUT VIBRATION	30%
GRADEABILITY WITH VIBRATION	25%
TURNING RADIUS (INNER)	2 400 mm (94.5 in)

## ENGINE

MANUFACTURER	Kubota	Yanmar
ENGINE TYPE	D1703-M-DI	3TNV80F
ENGINE SPEED	2100 / 2400 rpm	
POWER OUTPUT ISO 3046	18,5 kW / 24,8 HP	
EMISSION STAGE	EU Stage V / U.S. EPA Tier 4 Final	

## COMPACTION FORCES

AMPLITUDE I	0,5 mm (0.020 in)
AMPLITUDE II	0,5 mm (0.020 in)
FREQUENCY I	58 Hz (3,480 vpm)
FREQUENCY II	66 Hz (3,960 vpm)
CENTRIFUGAL FORCE I	34 kN (7,644 lbf)
CENTRIFUGAL FORCE II	41 kN (9,217 lbf)

## MISCELLANEOUS

BRAKES OPERATING	Hydrostatic
BRAKES PARKING	Multiple-disc spring brake
BRAKES EMERGENCY	Multiple-disc spring brake
FUEL TANK CAPACITY	35 l (9.2 gal)
WATER TANK CAPACITY	190 l (50.2 gal)
ANTI-ADHESIVE TANK	12 l (3.2 gal)
TYPE OF WATERING	Pressure
HYDRAULIC TANK CAPACITY	28,5 l (7.5 gal)
STEERING ANGLE	±30°
OSCILLATION ANGLE	±6,5°
BATTERY VOLTAGE	12V
BATTERY CAPACITY	77 Ah
NUMBER OF WHEELS	4 pcs
SIZE OF TIRES	9.5/ 65-15
WHEEL LOAD	280 kg (617 lb)

## MAXIMUM RECOMMENDED COMPACTED LIFT THICKNESS AT OPTIMAL WORKING CONDITIONS

ROCKFILL	N/A
SAND / GRAVEL	220 mm (8.7 in)
MIXED SOILS	150 mm (5.9 in)
SILT	N/A
CLAY	N/A
STABILISATION	100 mm (3.9 in)
ASPHALT	80 mm (3.1 in)