

APR 52/75

REVERSIBLE VIBRATORY PLATE

APPLICATIONS

- Earthwork and paving applications
- Road and rail track construction
- Compaction work in narrow trenches, confined areas
- Landscape and gardening
- Foundation work
- Sensitive surfaces (with optional rubber mats for stone protection)



A PERFORMER ON STEEP GRADES

The APR 52/75 features good manoeuvrability and optimum power to help with climbing and, ultimately, compaction. The machine performs at grades up to 30%. Working widths of 450 mm (17.7 in) can be broadened with extensions of 75 mm (3 in) and 150 mm (5.9 in). Engine unit is protected by a robust frame that offers wide openings for great accessibility when servicing the machine.

INNOVATIVE HANDLE

- The low vibration handle reduce stress on the operator.
- Round handle for optimized grip for all individual operator.

MAKES THE GRADE

- Overcomes grades of 30%.
- Remains fastest machine on the market.

READY TO RENT

- Low-cost upkeep.
- Good match for many applications.
- Easy for new users to operate.

TWIN-SHAFT EXCITER UNIT

- Shaft positioning enables the operator to easily change directions.
- Smooth variable hydrostatic unit allows machine to move easily in forward and reverse.
- "On-the-spot" vibration can be utilised in particularly challenging areas.

DURABLE

- Well-protected, robust centrifugal clutch with wear-resistant V belt.
- Service-friendly exciter unit with long lifetime.
- Fresh air suction behind the machine leads to longer lifetime.

OPTIONAL TECHNOLOGY

- ACE continuously measures and monitors the compaction level.

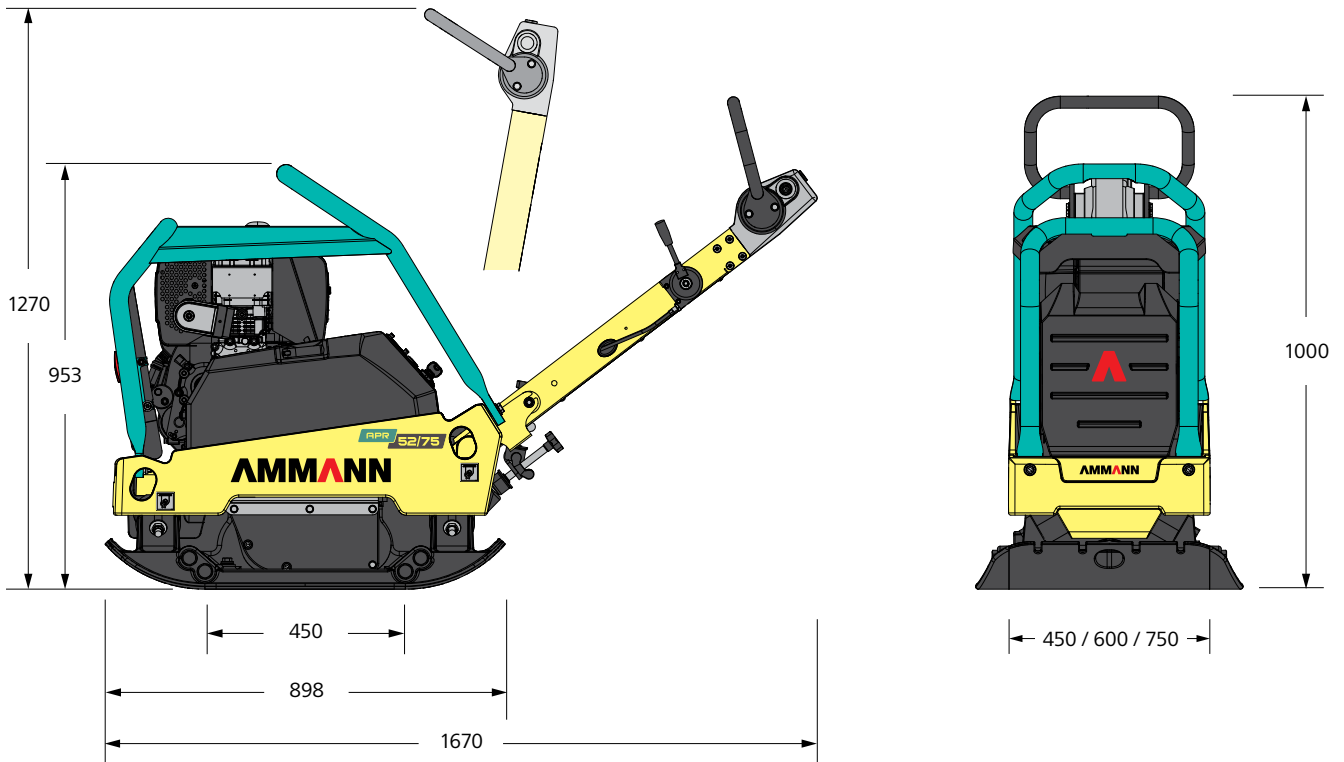
STANDARD EQUIPMENT

- Sturdy protection frame with central lifting point
- Powerful and reliable petrol or diesel engine
- 2-shaft exciter with long service intervalls
- Well protected, sturdy centrifugal clutch with wear resistant V-Belt
- 3 year extended warranty program
- E-start (Diesel engine)

OPTIONAL EQUIPMENT

- Bolted paving pad for applications on paving stones
- Hour meter
- Extension plates
- ACE

TECHNICAL SPECIFICATIONS
APR 52/75 REVERSIBLE VIBRATORY PLATE



Measurements in mm

WEIGHTS & DIMENSIONS

	HONDA	HATZ E-Start	HATZ E-Start EPA	HATZ (DPF) E-Start EPA
MACHINE WEIGHT	365.2 kg (805 lb)	397 kg (874 lb)	404.2 kg (891 lb)	408.2 kg (900 lb)
WITH EXTENSION PLATES 75 MM (3 IN) + OPTIONS	394.2 kg (869 lb)	426.6 kg (940 lb)	434.2 kg (957 lb)	438.2 kg (966 lb)
WITH EXTENSION PLATES 150 MM (5.9 IN) + OPTIONS	414.2 kg (913 lb)	446.6 kg (985 lb)	454.2 kg (1001 lb)	458.2 kg (1010 lb)
BASE PLATE LENGTH	450 mm (17.7 in)			
MACHINE LENGTH	898 mm (35.4 in)			
WITH HANDLE	1670 mm (65.7 in)			
MACHINE HEIGHT	953 mm (37.5 in)			
HANDLE HEIGHT (WORK)	1000 mm (39.4 in)			
HANDLE HEIGHT (TRANSPORT)	1270 mm (50 in)			
MACHINE WIDTH	450 / 600 / 750 mm (17.7 / 23.6 / 29.5 in)			

ENGINE

	HONDA	HATZ E-Start	HATZ E-Start EPA	HATZ (DPF) E-Start EPA
ENGINE	GX390	1B40	1B50E	1B50E (DPF)
FUEL	Petrol	Diesel	Diesel	Diesel
ENGINE OUTPUT	8.2 kW (11 HP)	6.8 kW (9.1 HP)	7.6 kW (10.2 HP)	7.6 kW (10.2 HP)
AT RPM	3000	2900	3000	3000
FUEL CONSUMPTION	3 l/h (0.8 gal/h)	1.6 l/h (0.4 gal/h)	1.6 l/h (0.4 gal/h)	1.6 l/h (0.4 gal/h)

COMPACTION FORCES

MAX. VIBRATION FREQUENCY	65 Hz (3900 rpm)
MAX. CENTRIFUGAL FORCE	52.5 kN (11802 lbf)
MAX. WORKING SURFACE	1305 m ² /h (14047 ft ² /h)
SPECIFIC SURFACE PRESSURE	25.9 N/cm ² (37.6 psi)

MISCELLANEOUS

SPEED	29 m/min (1.1 mph)
GRADEABILITY	30%
FUEL CAPACITY	6.1 l (1.6 gal) 5 l (1.3 gal) 5 l (1.3 gal) 5 l (1.3 gal)
MAX. INCLINE	25°