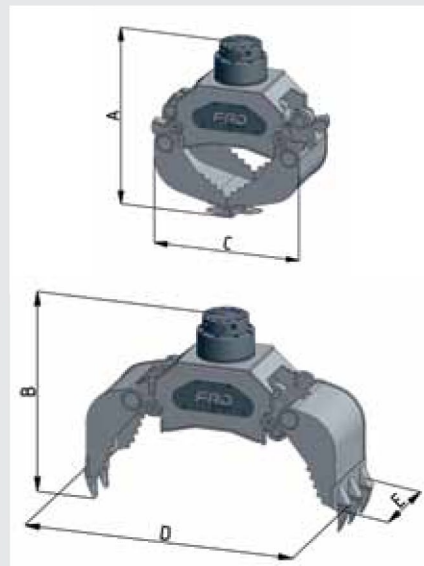
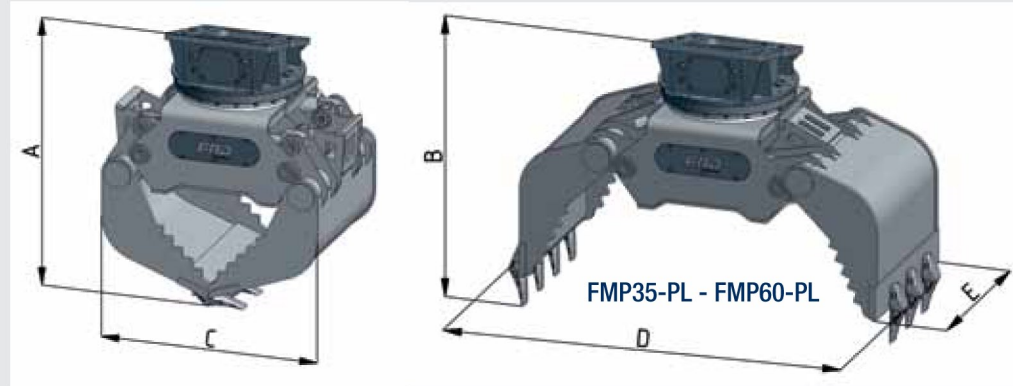


FRD MULTI PURPOSE GRAB

FRD MULTI PURPOSE GRAB - FMP SERIES -

Multi-purpose grab for variable use and handling of different materials, as for example:

- stone laying
- sorting and handling of construction waste
- sorting and handling of recycling material
- excavation and loading of rough bulk material



FMP05-PL - FMP30-PL

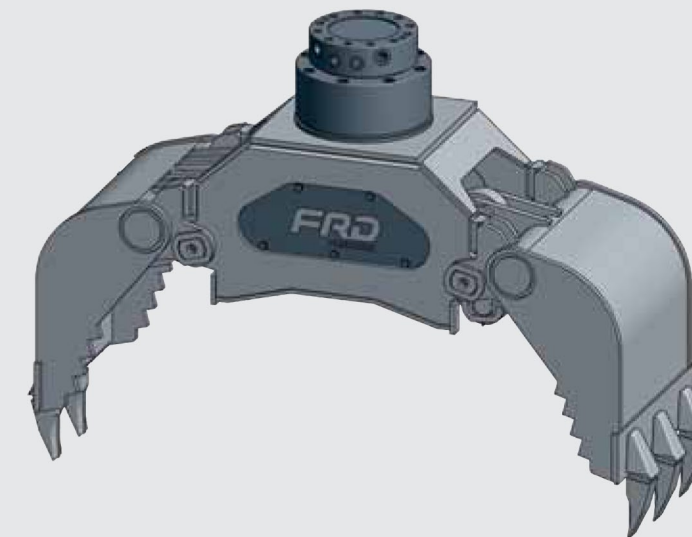
		FMP05-PL	FMP10-PL	FMP15-PL	FMP20-PL	FMP30-PL	FMP35-PL	FMP40-PL	FMP50-PL	FMP60-PL
Weight without adapter plate	kg	152	195	320	450	830	970	1665	1770	2200
Capacity	l	37	50	90	120	270	270	610	670	1025
Loading capacity-grab max.	t	1	1	1,5	2	4	4	6	6	8
Rotation motor max.	t	5	5	5	10	15	15	20	20	30
Dimension A	mm	670	705	890	1025	1210	1425	1630	1630	1940
Dimension B	mm	725	730	905	1085	1235	1450	1640	1640	1870
Dimension C	mm	610	610	800	905	1145	1145	1330	1330	1500
Dimension D	mm	900	970	1325	1530	1935	1935	2270	2270	2690
Width E	mm	360	400	450	500	660	660	940	1000	1030
Number of teeth	Stck.	3	3	3	5	5	5	7	7	7
Closing force max.	kN	18	20	28	37	60	60	57	90	85
Working pressure grab max.	bar	250	250	320	350	350	350	350	350	350
Oil flow grab max.	l/min	30	22	32	40	60	60	62	90	112
Working pressure rotation max.	bar	320	250	250	250	250	120	140	140	140
Oil flow rotation max.	l/min	20	20	20	28	48	30	30	30	30
Excavator	t	1 - 2	2 - 5	4 - 7	5 - 9	9 - 15	15 - 20	16 - 22	23 - 30	29 - 40

Specifications may change without prior notice by the manufacturer.

SMALL SERIES

FMP05-PL FMP10-PL FMP15-PL FMP20-PL MPG30-PL

- Compact hydraulic rotator unit with heavy duty axial and radial bearings.
- Flat compact design
- Hydraulic cylinders and synchronizing link are completely protected inside the box-frame
- FMP20-PL and FMP30-PL cylinders with limit damping
- FMP10, FMP20-PL and FMP30-PL with self-hold valves at the cylinders. They prevent the unintentional opening of the grab
- Integrated mechanical stop for opening and closing
- Wear-resistant bottom cutters and side plates of high strength fine-grain steel (400 HB)
- FMP05-PL and FMP10-PL with screw-in exchangeable blades / FMP20-PL and FMP30-PL with ESCO-plug-in exchangeable teeth
- Grabs without hydraulic rotation available



MAXIMUM DURABILITY

LARGE SERIES

FMP35-PL FMP40-PL FMP50-PL FMP60-PL

- Hydraulic rotator unit with heavy-duty axial and radial bearings, driven by a compact built-in hydraulic motor
- Flat compact design
- Hydraulic cylinders and synchronizing link are completely protected inside the box-frame
- Cylinders with limit damping
- Self-hold valves at the cylinders prevent the unintentional opening of the grab
- Integrated mechanical stop for opening and closing
- Wear-resistant bottom cutters and side plates of high strength fine-grain steel (400 HB)
- With ESCO-plug-in exchange teeth
- Grabs without hydraulic rotation available

