

PC3000-11 Excavator



Safety



Reliability



Productivity



Even in confined work sites, you can maintain high production. The PC3000 is a powerful, versatile machine with advanced technology and a 16m³ shovel and 15m³ backhoe capacity, and the reach to fill 85-165 st trucks.

Operating capacities

| | Front shovel | Backhoe |
|-------------------------------|---|---|
| Operating weight | 250 tons | 252 tons |
| Standard bucket configuration | 16 m ³ (21 yd ³) | 15 m ³ (19.5 yd ³) |
| Engine power | 940 kW (1,260 HP) | |
| Truck compatibility | 85 short tons - 165 short tons | |
| Swing speed | 4.6 rpm | |
| Boom length | 6 000 mm | 8 600 mm |
| Stick length | 4 300 mm | 4 000 mm |
| Breakout force | 1 066 kN | 890 kN |
| Crowd force/*tear-out force | 1 136 kN | *811 kN |
| Tier 4 option | Yes | Yes |
| Electric drive option | as -6 version | as -6 version |

PC3000-11

Diesel drive

| | |
|----------------------------|---|
| Model (Tier 4) | Komatsu SDA12V159E-3 |
| Type | 4-cycle, water-cooled, direct injection |
| Aspiration | Turbocharged and aftercooled |
| Number of cylinders | 12 |
| Engines amount | 1 |
| Rated power per engine | 940 kW (1,260 HP) @ 1800 rpm |
| Governor | All-speed, electronic |
| DEF tank capacity (tier 4) | 514 L (136 gal) |

Electric drive

| | |
|-------------------------|------------------------------|
| Type | Asynchronous motor |
| E-drive availability-11 | Not available |
| Engines amount | 1 |
| Rated power per engine | 900 kW (1,223 HP) @ 1800 rpm |
| Voltage | 6 000-7 200 V |
| Amperage (approx.) | 96 A-80 A |
| Frequency standard | 60 Hz @ 1800 rpm |
| Frequency option | 50 Hz @ 1500 rpm |

Electric system

| | |
|----------------------------------|--|
| System | 24 V |
| Batteries | 4x12 V |
| Alternator | 140 A |
| Standard working lights (amount) | 12 LED lights |
| Standard service lights | Throughout the platform including emergency egresses and stairways |

Undercarriage

| | |
|------------------------------------|--------------------------|
| Track adjustment | Automatic hydraulic type |
| Number of track shoes each side | 46 |
| Number of top rollers each side | 3 |
| Number of bottom rollers each side | 7 |

Travel and brake systems

| | |
|--------------------|--------------------|
| Gradeability | Up to 57% |
| Travel speed (max) | 2.4 km/h (1.5 mph) |
| Service brake | Hydraulic brake |
| Parking brake | Multiple brake |

Swing system

| | |
|----------------------------------|-----------------|
| Hydraulic motors and swing gears | 1 |
| Swing brake, dynamic | Hydraulic brake |
| Swing brake, parking | Multiple-disc |
| Swing ring teeth | External |
| Swing speed (max) | 4.6 rpm |

Environment

| | |
|---|---------------------------------|
| Hand-lever (ISO 5349-1) | Lower than 2.5 m/s ² |
| Whole body vibration and shock (ISO 2631-1) | Below 0.5 m/s ² |
| Greenhouse gas | HFC-134a (GWP 1430) |
| PC3000-11 D quantity of gas | 3.7 kg |
| PC3000-11 D CO ₂ equivalent | 5.3 t |
| PC3000-11 E quantity of gas | 4.9 kg |
| PC3000-11 E CO ₂ equivalent | 7.0 t |

Hydraulic system

| | | |
|-----------------------|--|--|
| Description | The power train consists of one main drive. Diesel or electric motor can be supplied. One gearbox drives three identical main pumps which draw hydraulic oil from an unpressurised hydraulic tank. Open circuit hydraulics provide maximum cooling and filtering efficiency. | |
| Main hydraulic pumps | Bosch Rexroth | |
| Main hydraulic pumps | 2 730 L/min (750 gpm) | |
| Relief valve setting | 310 bar (4,495 psi) | |
| Swing flow rate | 800 L/min (211 gpm) | |
| High pressure screens | 200 microns | |
| Flow description | | |

Full flow return line filters 3 x 10 microns and leakage line filter 3 microns all with monitored 200 microns by pass filters. The three-circuit system features a load limiting governor with oil delivery summation to the working circuits and incorporates pressure cut-off control. Hydropilot prioritises hydraulic flow giving smooth hydraulic response, simple hydraulic system layout, and a reduced number of components

Automatic lubrication system

| | | |
|-------------|---|--|
| Description | Two hydraulically powered Lincoln single line automatic lubrication systems are provided as standard, complete with time and volume variable controls. The central lube grease system is supplied from a refillable 200 litre (53 gal.) barrel. A second, identical system supplies open gear lubricant to the swing ring teeth through a lube pinion. Replenishment of the barrels is through the service arm. | |
|-------------|---|--|

Capacities

| | |
|----------------------------|------------------------|
| Hydraulic oil tank | 2 670 L (705 US gal) |
| Hydraulic system | 4 400 L (1,160 US gal) |
| Fuel | 4 500 L (1,190 US gal) |
| Engine coolant | 254 L (67 US gal) |
| Engine oil | 190 L (50 US gal) |
| Lubrication system (total) | 400 L (105 US gal) |

Operator cab

| | | |
|---------------------------|---|--|
| Damping pads (amount) | Enclosed steel cab mounted on viscous pads | |
| AC System | Air-condition unit | |
| Suspension of seat | Full suspension operator seat with belt | |
| Heating of seat | Electrically heated | |
| Seat belt | Lap seat belt | |
| Adjustments of seat | Multiple adjustments | |
| Joystick controls | Joysticks and controls are hydraulic | |
| Foot controls | Electronic Pedals, foot control for shovel clam, crawler and swing brake Hydraulic pilot control | |
| Radio version | AM-FM radio with MP3 ready CD player and AUX in | |
| Windshield washers | 2 synchronised windshield wash wiper | |
| Windshield washer speed | Two speeds and intermittent operation | |
| Additional mirrors | 2 heated rear mirrors | |
| Sun blinds | External metal sun blinds on side window | |
| Roller blinds | Internal roller blinds on all windows, except rear door | |
| Sliding window | Left hand, escape window | |
| Window tinting | Parsol green | |
| Penetration proof windows | Impact resistant front window (21 mm and tolerances) | |
| Walkway | Walkway around the cab | |
| Engineering standards | ISO 3449, ISO 6394, ISO 10263-4 TL: EN474-1, EN 474-5, DIN 15018, BR2-S DIN EN 1063, ECE R43, ISO 10262 | |

Komtrax plus

| | |
|-----------------|---|
| Version | Komtrax Plus 2 |
| Description | The KOMTRAX Plus monitoring system is designed for Komatsu mining equipment to provide real time and stored information about the operating status of the machine. Fault messages are immediately available to the operator via a digital display and in the event of critical malfunctions the engine is also shut down. The digital storage provides failure summary and analysis, which can be down loaded by laptop computer. This data will assist in predicting or reduction downtime. Optionally available is Orbcomm satellite transmission (check for availability in your territory). |
| Argus PLM ready | Yes |

Front shovel attachment

| | |
|-----------------------------|-------------------------|
| Boom length | 6 000 mm (19.7 ft.) |
| Stick length | 4 300 mm (14.1 ft.) |
| Break-out force (ISO) | 1 066 kN (239,646 lbf.) |
| Crowd force (ISO) | 1 136 kN (255,383 lbf.) |
| Max cutting height | 15 100 mm (49.5 ft.) |
| Max dumping height | 10 200 mm (33.5 ft.) |
| Max digging depth | 3 300 mm (10.8 ft.) |
| Max digging reach | 13 300 mm (43.6 ft.) |
| Level crowd at ground level | 4 700 mm (15.4 ft.) |
| Bucket opening width | 2 330 mm (7.6 ft.) |

Front shovel capacities

| | |
|------------------------------|--|
| 16 m ³ (standard) | 16 m ³ (20.9 yd ³) |
| Width | 3 790 mm (12.4 ft.) |
| Teeth | 5 |
| Wear package | Heavy duty |
| GET system | Hensley XS 252* *(further systems on request) |
| Max material density | 1.8 t/m ³ (3,034 lb/yd ³) |

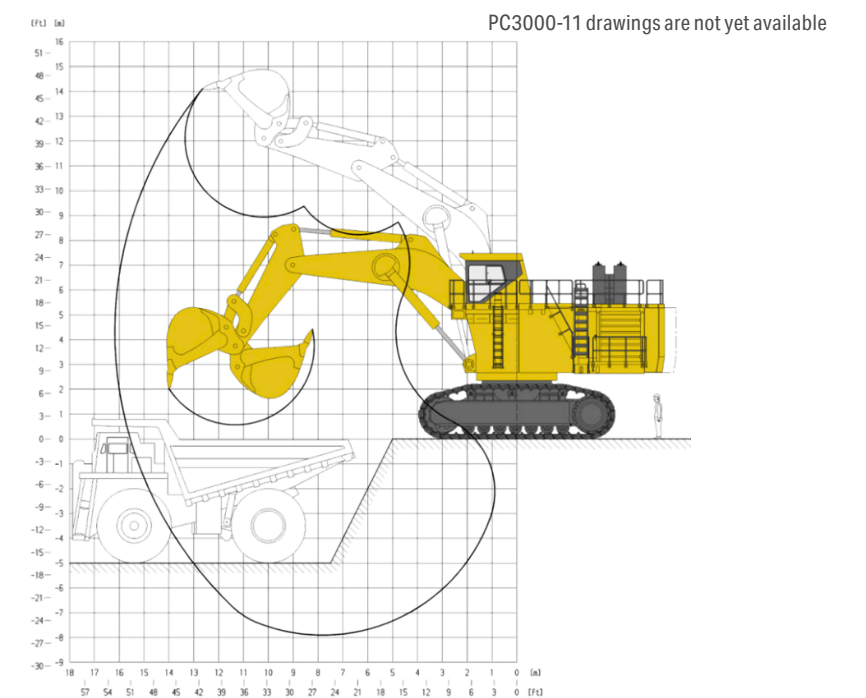
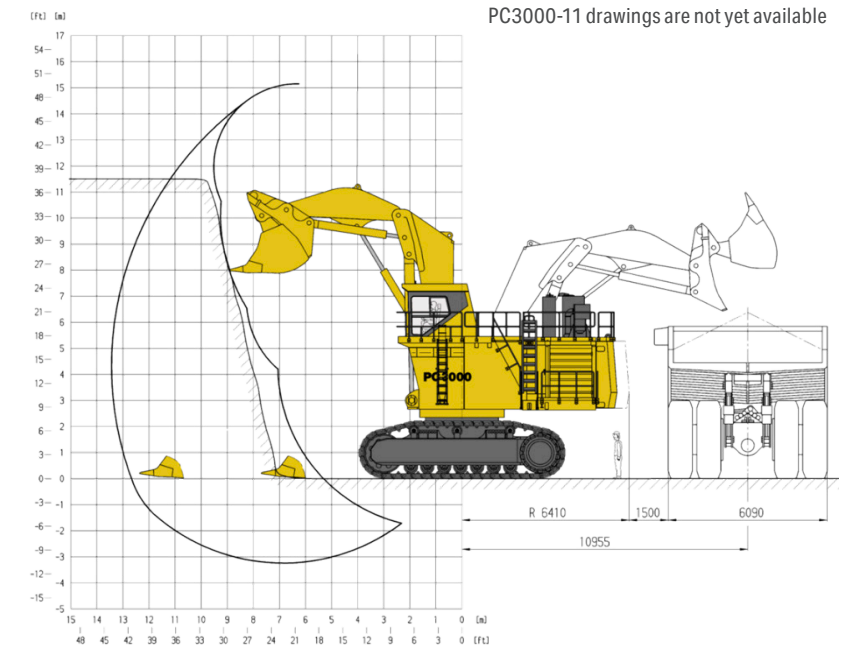
Backhoe attachment

| | |
|-----------------------------------|-----------------------|
| Boom | 8 600 mm (28.2 ft.) |
| Stick | 4 000 mm (13.1 ft.) |
| Break-out force (ISO) | 890 kN (100,080 lbf.) |
| Tear-out force (ISO) | 811 kN (182,320 lbf.) |
| Max digging height | 14 100 mm (46.3 ft.) |
| Max dumping height | 9 000 mm (29.5 ft.) |
| Max digging depth | 7 900 mm (25.9 ft.) |
| Max digging reach | 16 200 mm (53.1 ft.) |
| Max digging reach at ground level | 15 600 mm (51.2 ft.) |

Backhoe capacities

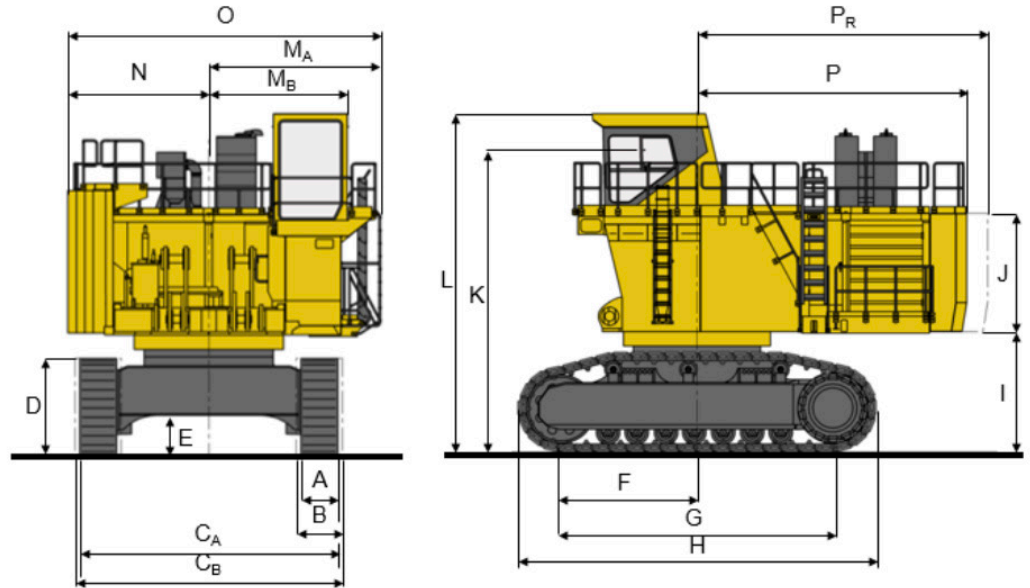
| | |
|------------------------------|--|
| 15 m ³ (standard) | 15 m ³ (19.6 yd ³) |
| Width | 3 260 mm (10.7 ft.) |
| Teeth | 5 |
| Wear package | Heavy duty |
| GET system | Hensley XS 252* *(further systems on request) |
| Max material density | 1.8 t/m ³ (3,034 lb/yd ³) |

General specification



Dimensions (PC3000-6)

| | |
|----------------|-------------------------|
| A | 800 mm (2 ft. 7 in) |
| B | 1 000 mm (3 ft. 3 in) |
| C _A | 5 640 mm (18 ft. 6 in) |
| C _B | 5 840 mm (19 ft. 2 in) |
| D | 2 210 mm (7 ft. 3 in) |
| E | 935 mm (3 ft. 1 in) |
| F | 3 000 mm (9 ft. 10 in) |
| G | 6 000 mm (19 ft. 8 in) |
| H | 7 914 mm (25 ft. 12 in) |
| I | 2 670 mm (8 ft. 9 in) |
| J | 2 610 mm (8 ft. 7 in) |
| K | 6 802 mm (22 ft. 4 in) |
| L | 7 479 mm (24 ft. 6 in) |
| M _A | 3 740 mm (12 ft. 3 in) |
| M _B | 3 010 mm (9 ft 11 in) |
| N | 3 060 mm (10 ft. 1 in) |
| O | 6 800 mm (22 ft. 6 in) |
| P | 5 959 mm (19 ft. 6 in) |
| P _R | 6 402 mm (20 ft. 12 in) |



PC3000-11 drawings are not yet available

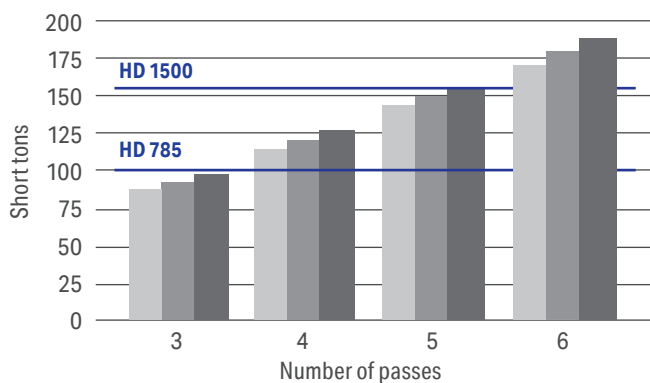
Front shovel operating weights

| | |
|----------------------------------|---|
| Boom dimensions | 6 000 mm (19 ft. 8 in) |
| Stick dimensions | 4 300 mm (14 ft. 1 in) |
| Standard bucket | 16 m ³ (21 yd ³) |
| Shoe width and weight (800 mm) | 800 mm (31 ft.) |
| Ground pressure | 23.6 N/cm ² (34.3 psi) |
| Operating weight | 257 t (566,588 lbs.) |
| Shoe width and weight (1 000 mm) | 1 000 mm (39 ft.) |
| Ground pressure | 19.3 N/cm ² (28.0 psi) |
| Operating weight | 262 t (577,611 lbs.) |
| Shoe width and weight (1 200 mm) | 1 200 mm (47 ft.) |
| Ground pressure | 16.1 N/cm ² (26.5 psi) |
| Operating weight | 262 t (1,214,747 lbs.) |

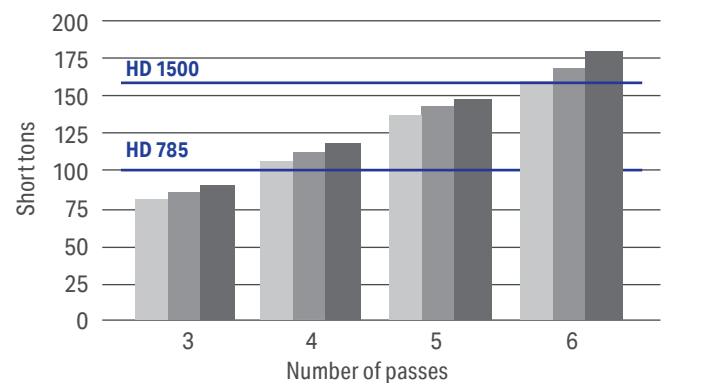
Backhoe operating weights

| | |
|----------------------------------|---|
| Boom dimensions | 8 600 mm (28 ft. 3 in) |
| Stick dimensions | 4 000 mm (13 ft. 1 in) |
| Standard bucket | 15 m ³ (19.5 yd ³) |
| Shoe width and weight (800 mm) | 800 mm (31 ft.) |
| Ground pressure | 23.8 N/cm ² (34.5 psi) |
| Operating weight | 259 t (570,997 lbs.) |
| Shoe width and weight (1 000 mm) | 1 000 mm (39 ft.) |
| Ground pressure | 19.4 N/cm ² (28.2 psi) |
| Operating weight | 264 t (582,020 lbs.) |
| Shoe width and weight (1 200 mm) | 1 200 mm (47 ft.) |
| Ground pressure | 16.2 N/cm ² (23.5 psi) |
| Operating weight | 264 t (582,020 lbs.) |

PC3000-11 Front shovel truck match



PC3000-11 Backhoe truck match



Product designs, specifications and/or data in this document are provided for informational purposes only and are not warranties of any kind. Product designs and/or specifications may be changed at any time without notice. The only warranties that apply to sales of products and services are Komatsu's standard written warranties, which will be furnished upon request.

Komatsu and other trademarks and service marks used herein are the property of Komatsu Ltd., Komatsu America Corp., Komatsu Mining Corp., Komatsu Germany, or one of their affiliates, or the respective owners or licensees.

KOMATSU
komatsu-mining.de

