

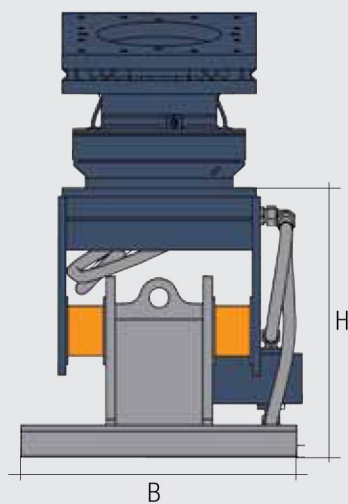
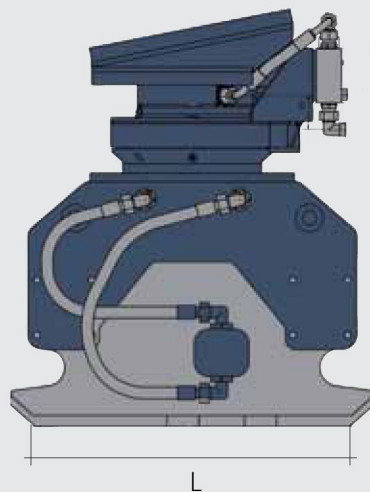
# FRD COMPACTOR

## FRD COMPACTOR - FCP SERIES -

		FCP2	FCP5	FCP6	FCP12	FCP22	FCP35	FCP45
Operating weight <sup>1)</sup>	kg	92	136	178	356	600	710	785
Base plate B x L	mm	440x320	450x450	510x450	610x760	710x850	870x750	940x750
Height <sup>2)</sup>	mm	370	370	390	610	700	780	780
Compaction area	m <sup>2</sup>	0,14	0,20	0,23	0,46	0,58	0,65	0,70
Centrifugal force	kN	10	18	25	50	95	155	205
Frequency	1/min	2200-2600	2200 - 3000	2200 - 3000	2100 - 2600	2200 - 2500	2400 - 2900	2400 - 2900
Oil flow	l/min	20 - 30	25 - 40	25 - 40	55 - 85	100 - 131	170 - 210	175 - 210
Working pressure	bar	120 - 140	120 - 140	120 - 140	120 - 140	120 - 140	190 - 215	200 - 220
Backpressure, return flow Max	bar	6	6	6	8	10	10	10
Internal hose Ø HD, ND	mm	9	12/16	12/16	16/19	19/25	25/32	25/32
Rotation, optional		2x90° mechanical / 360° endless hydraulic						
Mounting plate		F2LN	F2LN	F3LN	F6LN	F12LN	F19LN	F19LN
Excavator	t	0,8 - 3,0	2,0 - 5,0	4,5 - 8,0	6,0 - 16	15 - 28	20 - 35	22 - 37

Specifications may change without prior notice by the manufacturer.

<sup>1)</sup> Operating weight without rotation and mounting plate, <sup>2)</sup> Height without rotation and mounting plate



### Purpose

- Compaction of soil and granular materials.
- Compaction of trenches.
- Compaction of embankments, slopes, and dykes, where ordinary machines cannot be used.
- Detach frozen and sticky materials (coal, etc.)
- Driving of sheet piles (metal poles, fence posts, guard rails, etc.)

### FRD EXCAVATOR ATTACHMENTS: DEDICATED TO RELIABILITY AND LOWEST LIFETIME COST



FCP2



FCP12



FCP22HR