

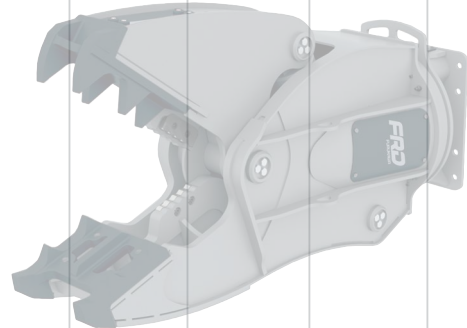
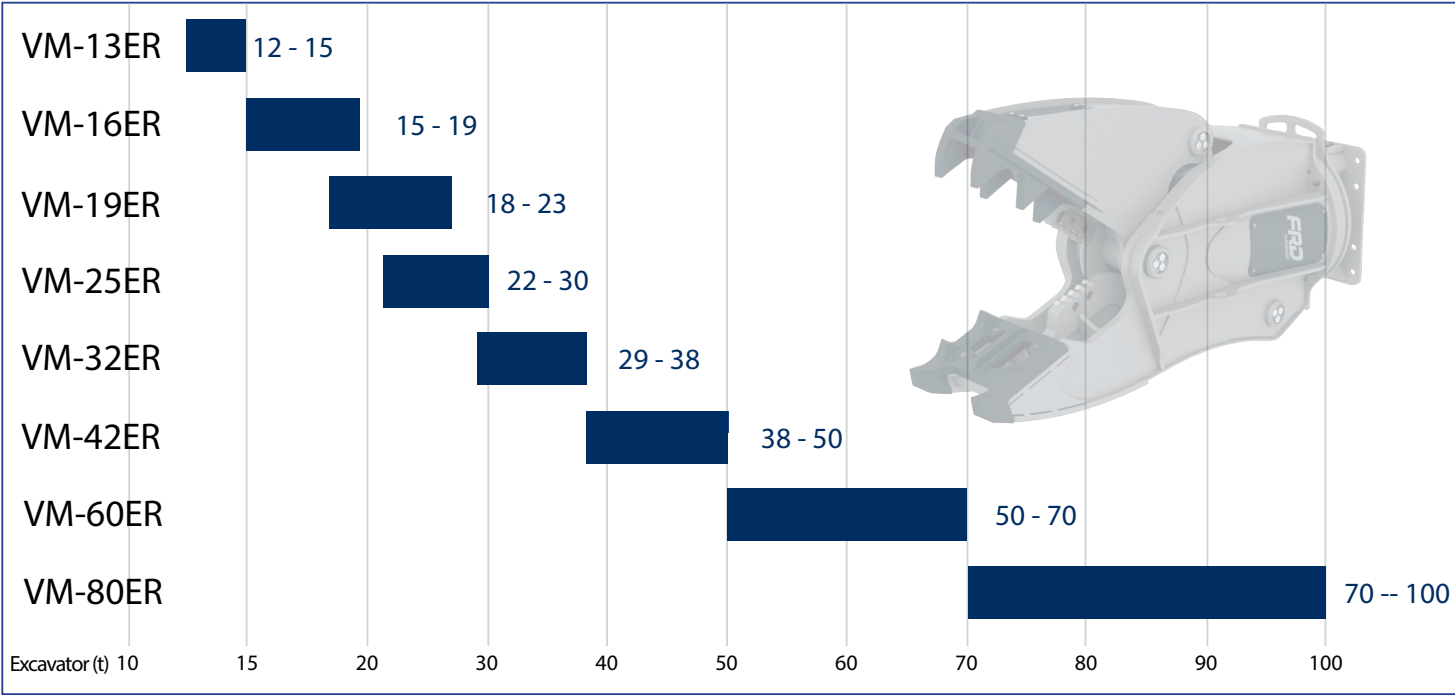
MULTI-PURPOSE CRUSHER



WHERE EXPERIENCE COUNTS

MULTI-PURPOSE CRUSHER

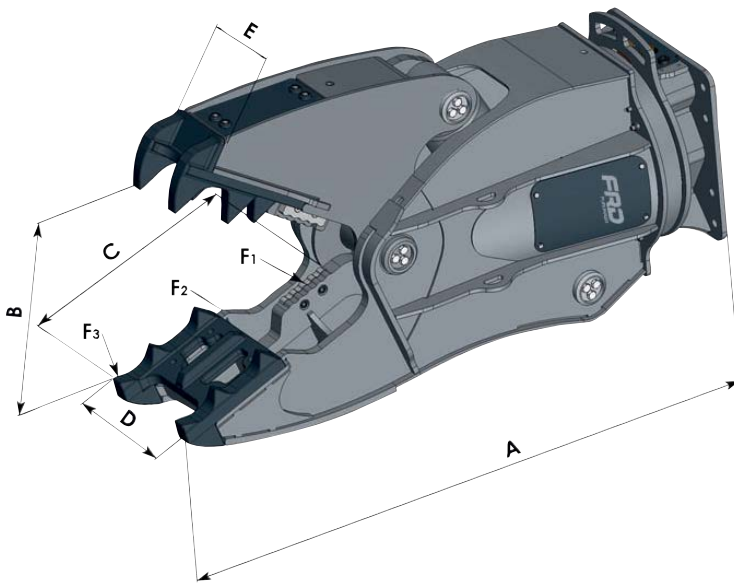
EXCAVATORS



FRD SILENT DEMOLITION TOOLS: DEMOLITION AND PULVERIZE COMBINED

The FRD Multi Purpose Crushers are mainly used for the primary demolition of concrete and reinforcement. Nevertheless, they combine the characteristics of a crusher with a pulveriser. The universal use of the VM series for crushing concrete at either primary and secondary demolition reduces your investment and operating costs.

8 models for excavators from 12 to 100 tonnes operating weight offer users the ultimate tool for any application.



VM SERIES



FRD MULTI-PURPOSE CRUSHER - VM SERIES -

These are the tools for cutting concrete structures, steel profile cutting and separating reinforcing steel. The models are equipped with hydraulic rotation and can therefore be used in primary as well as in secondary demolition.

MAXIMUM DURABILITY

- Extremely stable housing with low weight
- Speed valve for quick and efficient work
- Feed opening with optimized shape for easy collecting and loading of reinforcing steel
- Optimal tooth geometry ensures that large concrete parts do not slip away from the crushed material
- Replaceable wear parts

		VM13 ER	VM16 ER	VM19 ER	VM25 ER	VM32 ER	VM42 ER	VM60 ER	VM80 ER
A	mm	1890	2035	2223	2570	2734	3065	3415	3780
B	mm	635	680	786	930	1010	1165	1285	1520
C	mm	670	720	840	940	1040	1140	1280	1380
D	mm	404	404	454	454	490	490	540	635
E	mm	260	260	290	290	314	446	480	540
F1	kN	1400	1950	2340	2600	3500	4200	5000	5900
F2	kN	800	910	1000	1380	2750	3410	4100	4800
F3	kN	550	650	800	1050	1200	1460	1750	2050
Cutter length	mm	150	200	200	200	200	200	300	350
Oil flow (rotation)	l/min	30	30	30	30	50	50	50	100
Working pressure	bar	120	120	120	120	120	120	120	120
(rotation)									
Oil flow	l/min	110 - 160	140 - 200	180 - 230	250 - 300	300 - 350	350 - 400	400 - 500	500 - 700
Working pressure	bar	350	350	350	350	350	350	350	350
Operating Weight	kg	1250	1571	1907	2489	3200	4220	5650	8150
Excavator	t	12 - 15	15 - 19	18 - 23	22 - 30	29 - 38	38 - 50	50 - 70	70 - 100

Specifications may change without prior notice by the manufacturer.



Furukawa Rockdrill Europe BV
Proostwetering 29
3543 AB Utrecht, The Netherlands
Phone +31-(0)30-2412277
Fax +31-(0)30-2412305
www.frd.eu



WHERE EXPERIENCE COUNTS