

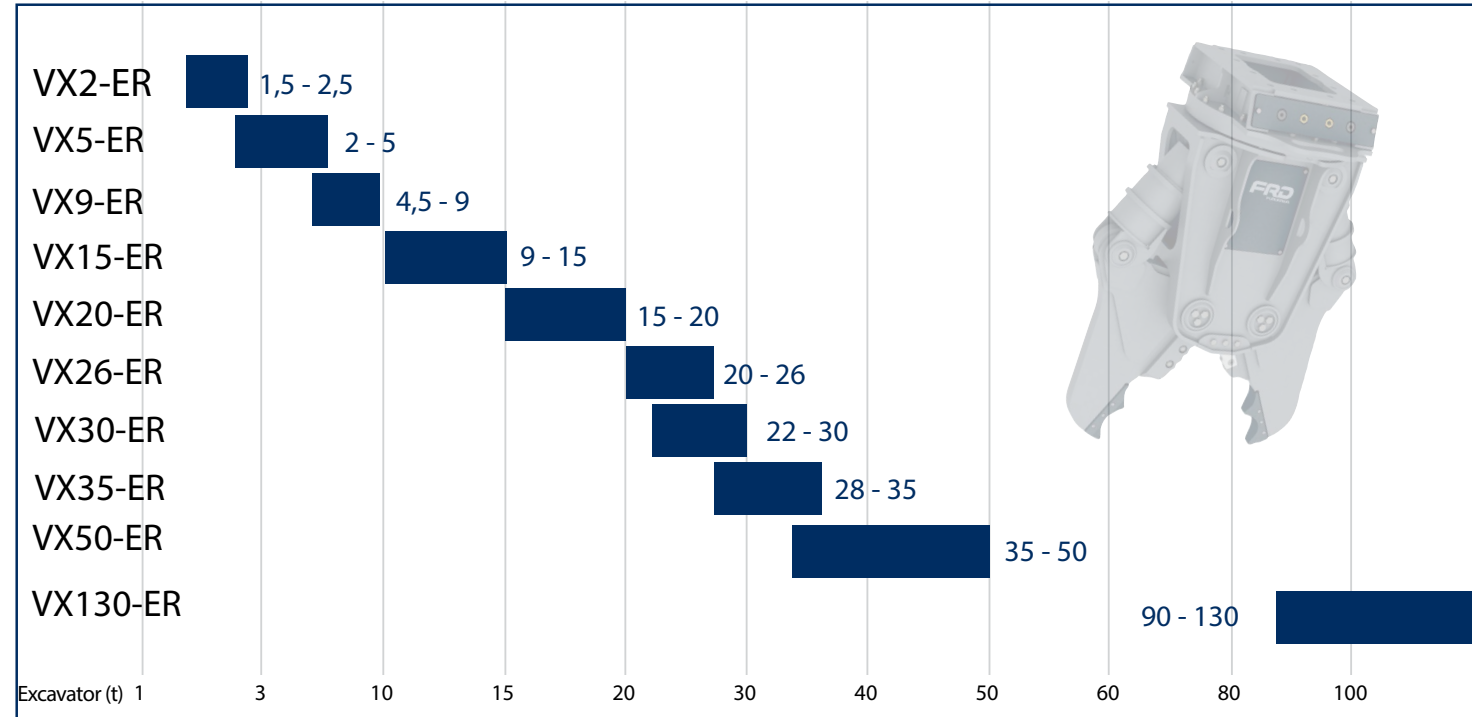
# PRIMARY CRUSHER



WHERE EXPERIENCE COUNTS

# PRIMARY CRUSHER

## EXCAVATORS



## FRD SILENT DEMOLITION TOOL: HIGH RELIABILITY AND LOW MAINTENANCE

The FRD CombiCutters are primary demolition tools for the cutting of concrete structures and for cutting through rebar.

### The System:

- 360° Rotation allows more optimal working position
- Speed valve for quick and efficient work
- Steel cutting blades offer a high cutting capacity
- Special steel construction for durability and stress less work
- Dust prevention kit available as an option

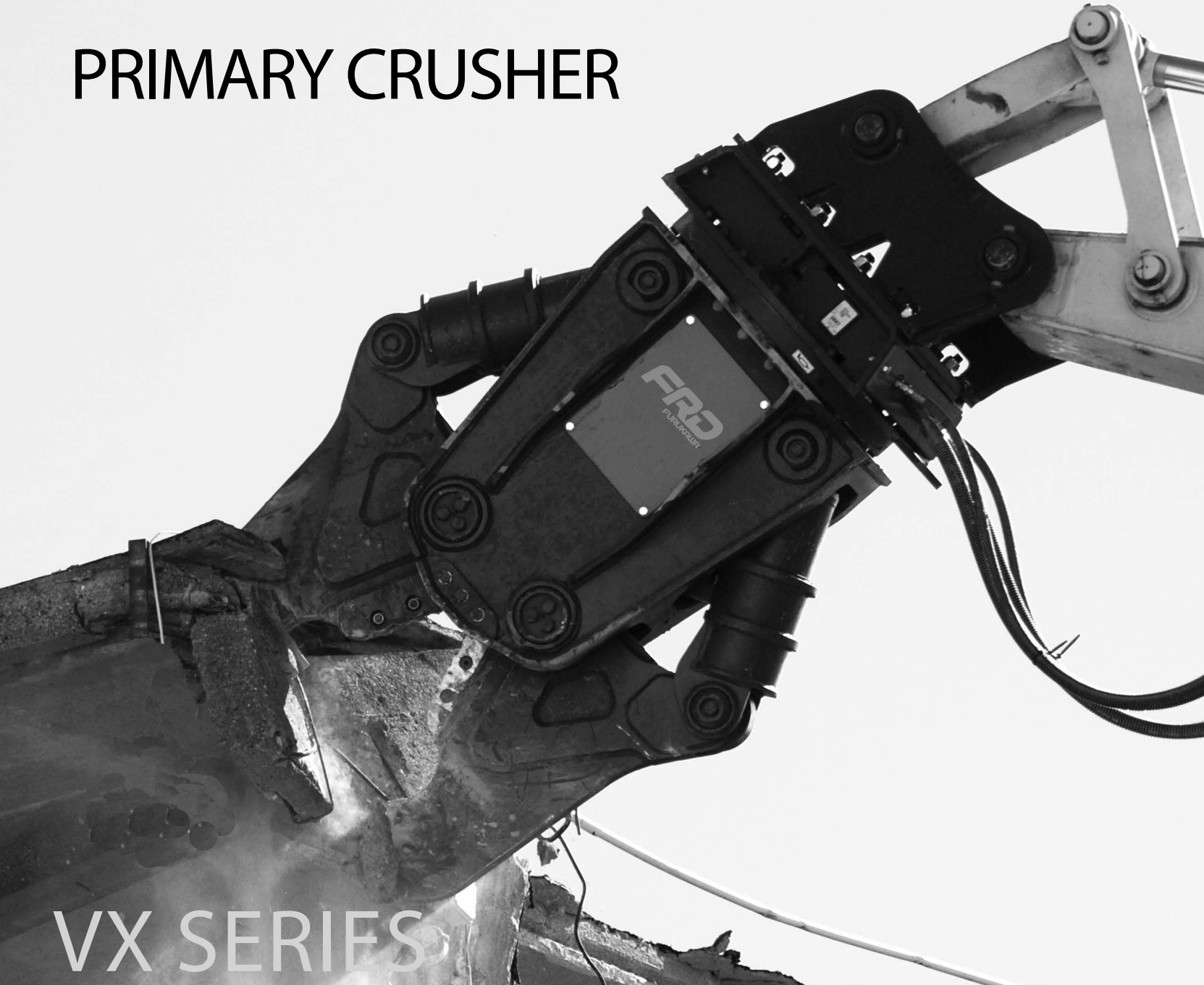
## MAXIMUM DURABILITY

- Extremely stable housing with low weight
- Speed valve for quick and efficient work
- Feed opening with optimized shape for easy collecting and loading of reinforcing steel
- Optimal tooth geometry ensures that large concrete parts do not slip away from the crushed material.
- Replaceable wear parts



VX SERIES

# PRIMARY CRUSHER

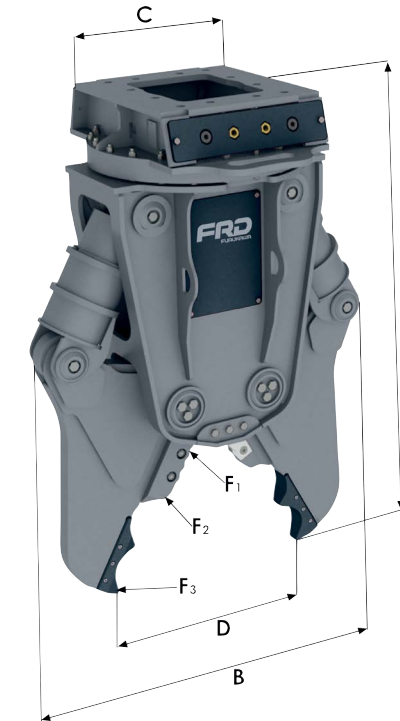


VX SERIES



## FRD PRIMARY CRUSHER - VX SERIES -

The FRD Crusher is a primary demolition tool for cutting concrete structures and for cutting through reinforcing steel. The design of the double cylinder allows a large jaw opening for this weight class. In conjunction with the low-wear Hardox crushing jaws the maximum power is combined with a minimum of wear.



		VX2 ER	VX5 ER	VX9 ER	VX15 ER	VX20 ER	VX26 ER	VX30 ER	VX35 ER	VX50 ER	VX130 ER
A	mm	908	1036	1291	1528	1722	2060	2171	2250	2319	3620
B	mm	621	609	873	1136	1172	1465	1470	1470	1795	2680
D	mm	230	350	480	600	720	847	900	1130	1203	2100
F1	kN	750	800	1250	1600	1850	2300	2600	3200	3300	8100
F2	kN	370	450	700	900	1150	1400	1600	1900	2000	3600
F3	kN	220	250	450	600	750	920	1050	1250	1300	2350
Cutter length	mm	84	84	147	147	220	252	252	252	300	310
Oil flow (rotation)	l/min	18	5	5	25	30	30	50	50	50-60	100
Working pressure	bar	220	120	120	190	190	190	190	190	190	160
(rotation)											
Oil flow	l/min	20	30 - 40	40 - 70	90	110 - 140	170 - 210	200 - 250	250 - 300	300 - 350	600 - 1000
Working pressure	bar	220	220	220	350	350	350	350	350	350	350
Operating Weight	kg	185	264	480	820	1140	1998	2150	2700	3400	11000
Excavator	t	1,5 - 2,5	2 - 5	4,5 - 9	9 - 15	15 - 20	20 - 26	22 - 30	28 - 35	33 - 50	90 - 130

Specifications may change without prior notice by the manufacturer.





Furukawa Rockdrill Europe BV  
Proostwetering 29  
3543 AB Utrecht, The Netherlands  
Phone +31-(0)30-2412277  
Fax +31-(0)30-2412305  
[www.frd.eu](http://www.frd.eu)



WHERE EXPERIENCE COUNTS